

SWITCH MONITOR INPUT OUTPUT MODULE



S-A4045

DESCRIPTION

Switch Monitor Input/output Module provides a voltage free, single pole, change-over relay output, a single, monitored switch input and unmonitored, non-polarized opto-coupled input.

INSTALLATION

These products must be installed in accordance with the applicable NFPA standards, local codes and jurisdictional authorities. Failure to follow these instructions may result in failure of devices to report an alarm condition. Shield Fire, Safety and Security Ltd is not responsible for devices which are improperly installed, maintained and tested.

Before installing these products, check the continuity, polarity and insulation resistance of all wiring. Check that siting is in accordance with the fire system drawings and conforms to all applicable local codes such as NFPA 72.

Mount the electrical box as required and install all cables for termination. Where applicable ensure that cable shield/earth continuity is maintained.

Drill holes in the fascia plate corresponding to the holes on the mounting box selected.

Terminate all cables in compliance with local codes and regulations. Set the address of the module.

Gently push the completed assembly towards the mounting box and align the fixing holes. Secure the unit with the screws provided. Do not over tighten the screws.

Commission the module.

FEATURES

- Report 'trouble', 'switch open' and 'switch closed' levels.
- Visible LED.
- Loop-powered.

TECHNICAL DATA

Working Voltage	17 - 28 V DC
Operating Current	5-9 V (peak to peak)
Supervisory Standby Current	850 µA
Surge current	7.5 mA
Maximum Alarm Current	6.0 mA (LED On)
Temperature Range	0°C to 49°C
Humidity	0-93 % RH non-condensing
End-of-Line Resistors	47 KΩ
Relay Output	Non supervised, programmable, dry contact 24 V DC, 1A:30 V AC 0.5 A (resistive)

FUNCTIONAL TEST DATA

Output Bit	Function	Input Bit	Function
2	Alarm LED 1 = On 0 = Off	2	Alarm LED Confirmation 1 = On 0 = Off
1	Not used	1	Indicates Class Wiring 1 = Class B* 0 = Class A
0	Sounder Control 1 = On 0 = Off	0	Opto-isolated Input Status 1 = Input low 0 = Input high

* Note: Toggles to '0' in alarm.

NOTE:

All circuits are power limited except for relay contacts. If the relay contacts are connected to a non-power limited source, remove the lower portion of the power limited label along the kiss cut. Use only limited energy cable types FPL, FPLR or FPLP on power limited circuits. remove the power.



Fig. 1 - Wiring Diagram for Switch Monitor Input/Output Module

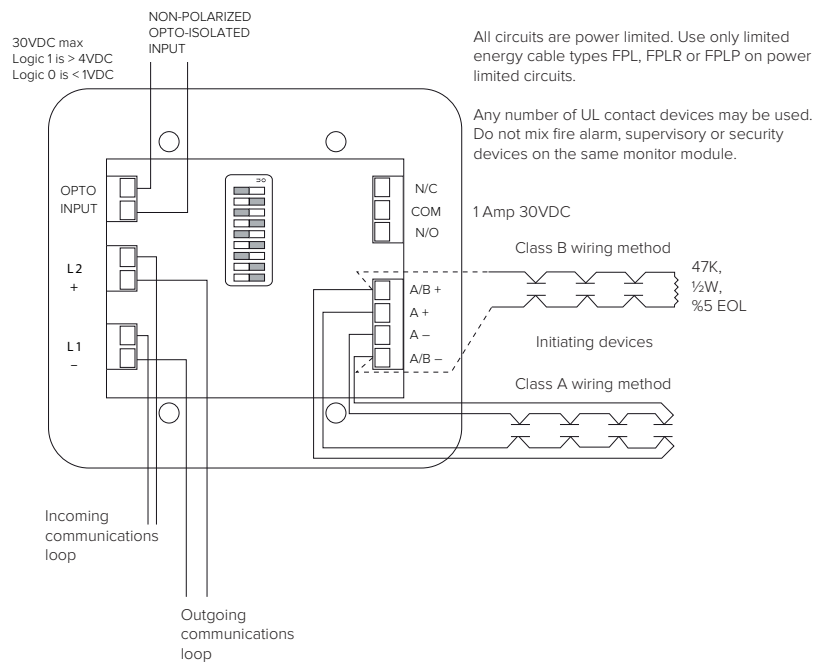


Fig. 2 - DIP Switch

